

Changing cubicles type EF-3 WK

Made of sandwich elements with HPL surface

schäfer[®]
Trennwandsysteme

0296 - 0321



Stylish and elegant partitioning.



BEFORE WE
EXPECT TRUST FROM
OUR CUSTOMERS,
WE PROVIDE EVIDENCE
that's us!

ENVIRONMENT & SUSTAINABILITY

that's us!

Sustainable management and careful use of resources are a matter of course for us and part of our corporate philosophy. This basic idea is consistently integrated and lived in our work processes. We are proud to be the first certified manufacturer of partition systems and lockers in Germany to operate according to the FSC™ and PEFC guidelines.

PEFC - registered

We pay attention to a sustainable supply chain in which our products are procured under ecological, economic and socially just aspects.

FSC™ - certified

As the first certified manufacturer in the area of partition systems and lockers in Germany, we make an active contribution to the protection of our earth with this future-oriented procurement method.

We supply almost our entire range from sustainable wood in accordance with the specifications of the FSC™.



On request
the products are
available with
FSC™ certification

TÜV NORD GS TESTED SAFETY

that's us!

Tested and certified by TÜV NORD these products meet the requirements of the Product Safety Act ProdSG § 21 Registration No. 44 329 14148801.



MADE IN GERMANY

that's us!

Our products are manufactured for you at the company site in Horhausen, Rhineland-Palatinate. This is the only way we can guarantee the high quality standards we set for our products.



PREQUALIFIED

that's us!

We are registered in the list of prequalified construction companies with the number 010.049740, proving that we are qualified for the products and services we offer.



INNOVATIVE & DESIGN-ORIENTED

that's us!

With our design-oriented and innovative products, we convince not only our customers, but also national and international committees.



reddot winner 2021





For the high design demands.

EF-3 WK and EF-3 WK JUMP changing cubicles are ideal for the design of changing rooms. Flush fronts, low-footprint constructions and infinite colour combinations are ideal prerequisites for a visually successful and modern changing area. The elevation on a central pedestal under the changing cubicle bench means that the front can be largely dispensed with. Design, ease of use and ease of cleaning are thus perfectly combined.



(1)

Interesting facts about EF-3 WK & EF-3 WK JUMP

Changing cubicles made of 36 mm thick sandwich elements with HPL surface

- Flush front
- Wall connections as shadow gap
- High-quality hardware system made of aluminium
- Central locking system allows simultaneous locking of both doors
- Completely waterproof construction
- Ideal for wet and dry areas
- Changing cubicles are made to measure
- Wide range of decors and colours
- Customized motif prints enable unique theme concepts
- Made in Germany

(1)

- Changing cubicles type EF-3 WK JUMP
- Recessed feet and recessed head profile give a floating appearance and facilitate cleaning

(2)

- On-site concrete base under the cubicle bench supports the entire construction
- End wall made of glass with motif print and integrated safe deposit boxes as visual eye-catcher

(3)

- Spacious family changing cubicle type EF-3
- Offers sufficient space
- Stick-on pictograms affixed as a guide



(2)



(3)



(1)

(1)

- Changing cubicle EF-3 WK with central under bench lock for simultaneous locking and unlocking of the doors

(2)

- Changing cubicles with support feet in the front
- Locker system type SGVK13 on base tiled on site
- The combination of changing cubicles and directly adjacent lockers enables comfortable changing
- Numbered circles on the end walls facilitate orientation

(3)

- The flush fronts allow effective cleaning

(4)

- Lockers on a tiled concrete base on site with changing cubicles



(2)



(3)



(4)



(1)

(1)+(2)

- Changing cubicles type EF-3 WK JUMP with recessed head profile and central foot
- Support feet in the front therefore largely unnecessary
- This allows faster and more efficient cleaning

(3)

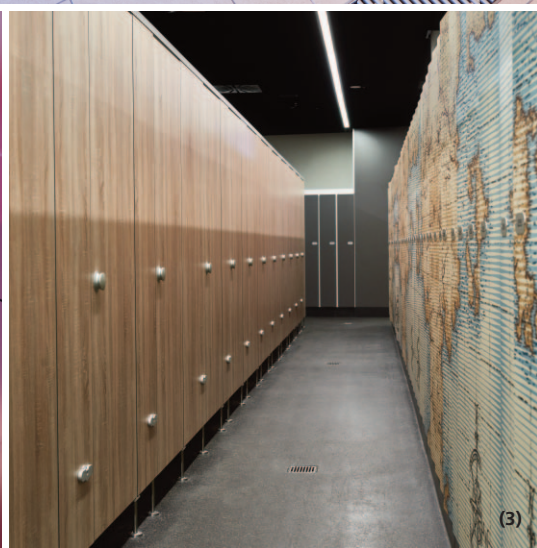
- Changing cubicle type EF-3 WK with stainless steel support feet
- Wooden decor of the cubicles and locker motifs are perfectly matched
- Colours and motifs are selected according to customer request
- Theme and colour concepts can be perfectly implemented

(4)

- Collective dressing room type EF-3 with classic door handle



(2)



(3)



(4)

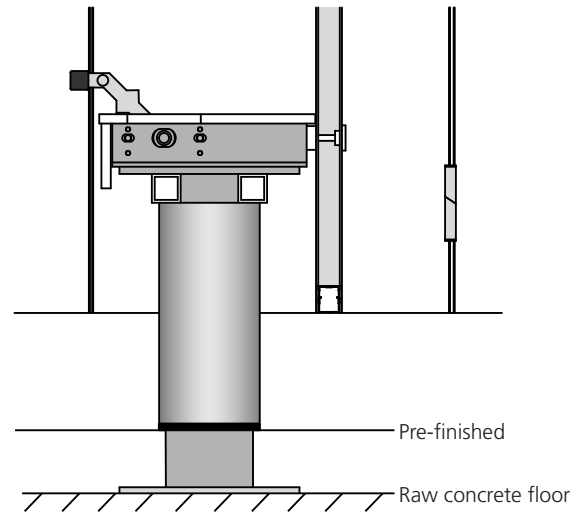


Changing cubicles with a central middle foot: good looking and money saving at the same time!

- Up to 75% less feet
- Less cleaning effort
- Lower cleaning costs
- Less damage from cleaning machines
- Floating look improves appearance

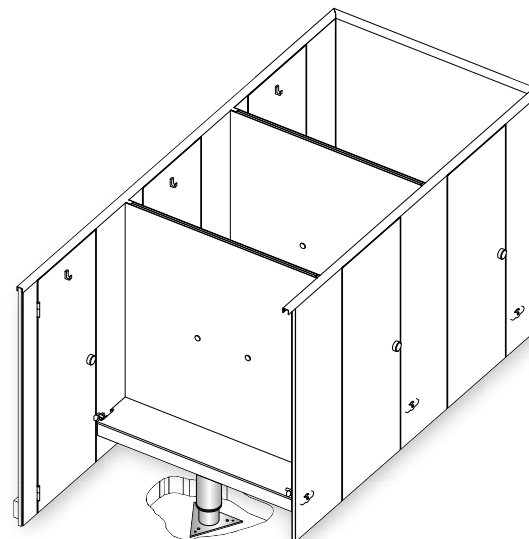


For comparison:
changing cubicle with support feet in the front



The central middle foot:
the load-bearing structure
with a long-term perspective.

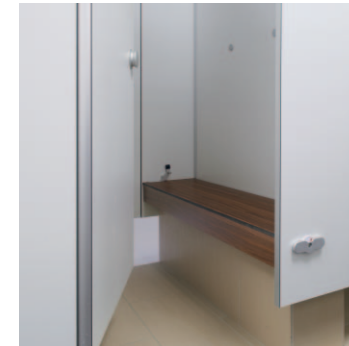
- Central feet under the cubicle benches are anchored to the bare floor and support the entire cubicle system
- Feet in the front are largely unnecessary
- This has advantages for long cubicle life:
 - more hygienic
 - lower cleaning costs
 - less damage from cleaning machines
 - top class look



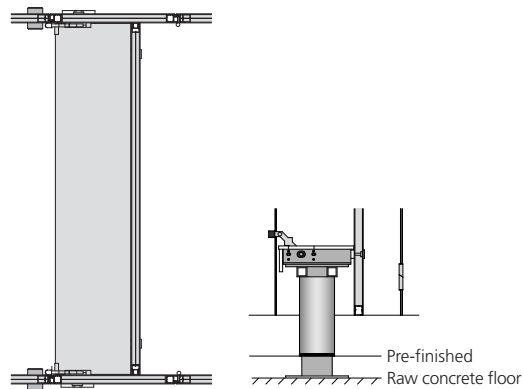
Example of the cost savings with 40 changing cubicles

Example changing cubicles	with supports	with central support
Qty of changing cubicles	40	40
Supports per cubicle	4	1
Hourly wages of a cleaning person	23,00 €	23,00 €
Cleaning effort per support	15 sec.	10 sec.
Cleaning effort per day	40 min.	6,7 min.
Cleaning effort per year	244 Std.	41 Std.
Cleaning costs of supports per year	5.612,00 €	943,00 €
Costs savings per year		4.669,00 €

Est. costs of the central supports at the changing cubicles	18.000,00 €
Amortization after years, est.	4

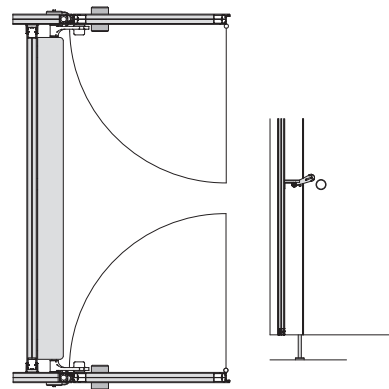


Construction of central locking device



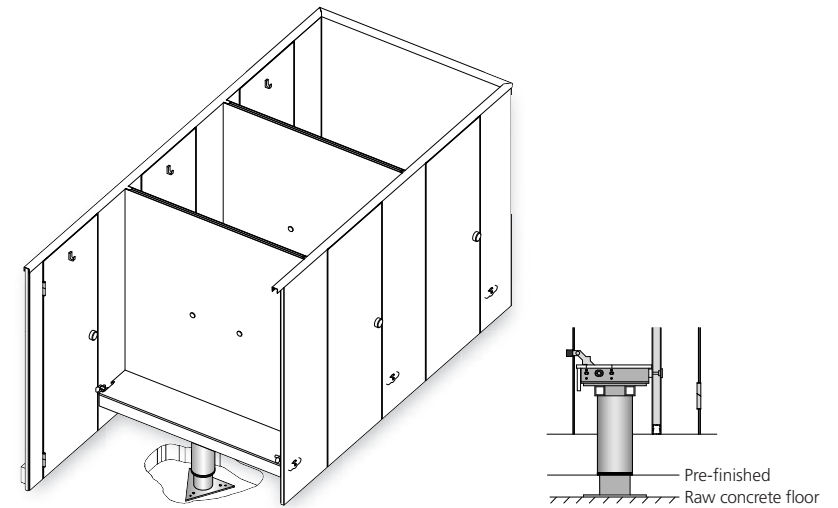
The changing cubicle can be locked synchronously using the central under bench lock. Alternatively, it can be locked using central lever locking.

Central lever locking construction



Synchronous locking of the changing cubicle with central lever locking.

Central middle foot construction



The optional central midfoot under the cubicle bench is anchored to the raw concrete floor. This means that the entire cubicle can be supported on one foot and feet in the front are largely unnecessary.

We reserve the right to make technical alterations.

Features type EF-3 WK & EF-3 WK JUMP

Headrail type EF-3 WK JUMP:



- Headrail recessed by 150 mm behind the front wall
- Aluminium brackets and angles ensure a stable construction

Supports type EF-3 WK JUMP:



- Dividing wall with recessed aluminium support
- Support holder made of anodised aluminium
- Stabilisation of the front elements by means of T-connectors under the dividing wall and front element, tightly screwed

Supports type EF-3 WK:



- Stainless steel supports, height-adjustable

Supports type EF-3 WK:



- Aluminium supports, height-adjustable, price neutral

Central middle foot under the cubicle benches optional:



- The optional central foot under the cabin bench seat is already anchored to the raw floor
- The complete cabin is thereby on one foot

Features type EF-3 WK & EF-3 WK JUMP

Hinges for all types:



- Anodised aluminium rising hinge with high-performance polymer
- Treads guarantee absolute freedom from maintenance and a silence, self-closing of the door
- Door hinges are generally used for door openings over 110°

Tenon hinge type EF-3 WK:



- Self-closing doors through an integrated tenon hinge for a max. door opening of 110°
- Not for EF-3 JUMP

Variation of accessories type EF-3 WK & EF-3 WK JUMP

Hardware:



Nylon
one hand door knob



Aluminium
one hand door knob



Central
under bench lock

Buffer and hooks:



Aluminium buffer
Schäfer AL7015



Nylon buffer
Schäfer N8015



Aluminium hook
Schäfer AL7011



Nylon hook
Schäfer N8010

Hangers:



Hanger made of
unbreakable nylon



Nylon hanger
with net for clothes



Nylon hanger
with additional
shoe hook

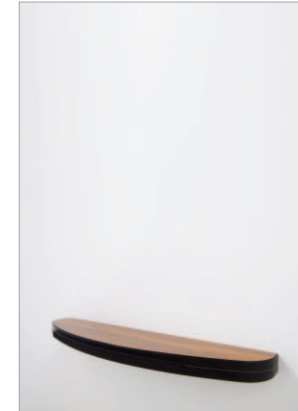


Nylon hanger
with shoe hook and net

Variation of accessories type EF-3 WK & EF-3 WK JUMP

Mirrors and shelves:

Mirrors and shelves can be added optional to each changing and dressing room.



Changing tables:

Changing table with additional storage space and waste collector integrated into a family changing cubicle.

More about other changing table variants you can learn [here >](#)



[To the individual changing tables >](#)

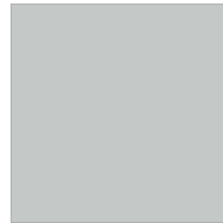
[To the sanitary accessories >](#)

Colours type EF-3 WK & EF-3 WK JUMP

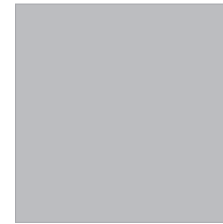
Panels:



2001
Weiß



2002
Silbergrau



2010
Aluminiumgrau



2004
Anthrazit



2006
Limonengrün

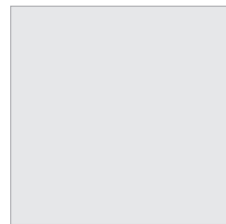


2007
Atlantik



2008
Pflaume

Profiles:



E6/EV1
Eloxiert

Special colours for panels, wall-connection profiles in all RAL colours and special accessories are available upon request. Ask us!

There may be a difference between printed colours and real colours.



reddot winner 2021



GERMAN
INNOVATION
AWARD '22
WINNER

