

Sanitary facilities for campsites



Toilet partitions and privacy screens	4-7
Vanity units and hair drying stations	8-12
Shower partitions	13-16
Wet room doors	17-19
Sculleries	20-21
Accessories	22
Variations of accessories	23



BEFORE WE
EXPECT TRUST FROM
OUR CUSTOMERS,
WE PROVIDE EVIDENCE
that's us!

ENVIRONMENT & SUSTAINABILITY

that's us!

Sustainable management and careful use of resources are a matter of course for us and part of our corporate philosophy. This basic idea is consistently integrated and lived in our work processes.

We are proud to be the first certified manufacturer of partition systems and lockers in Germany to operate according to the FSC™ and PEFC guidelines.

PEFC - registered

We pay attention to a sustainable supply chain in which our products are procured under ecological, economic and socially just aspects.

FSC™ - certified

As the first certified manufacturer in the area of partition systems and lockers in Germany, we make an active contribution to the protection of our earth with this future-oriented procurement method. We supply almost our entire range from sustainable wood in accordance with the specifications of the FSC™.



On request
the products are
available with
FSC™ certification

MADE IN GERMANY

that's us!

Our products are manufactured for you at the company site in Horhausen, Rhineland-Palatinate. This is the only way we can guarantee the high quality standards we set for our products.



PREQUALIFIED

that's us!

We are registered in the list of prequalified construction companies with the number 010.049740, proving that we are qualified for the products and services we offer.



INNOVATIVE & DESIGN-ORIENTED

that's us!

With our design-oriented and innovative products, we convince not only our customers, but also national and international committees.



Toilet partitions and privacy screens



Stylish and elegant partitioning.



(1) + (2)

VKH13 cubicle system

- Hanging construction made of 13 mm HPL solid core panels
- Support feet can be reduced to a minimum
- Easier cleaning and maintenance, considerably lower cleaning costs
- Completely waterproof

(3)

Cubicle system type EF-3 ALTUS

- Room-high solution for maximum privacy
- Doors, side and partition walls are closed from floor to ceiling
- Construction from high-quality sandwich elements, 36 mm thick with HPL surface
- Waterproof construction, therefore ideal for wet and dry areas
- Picture shows outward-opening doors

(4)

VITRUM II glass toilet partition

- Corner cubicle made of (ESG-H) safety glass
- Wall-mounted glass privacy screens
- Particularly easy to clean



(1)

(1) + (2)

Cubicle system type EF-3 JUMP

- Made of 36 mm thick sandwich elements with HPL surface
- Recessed supports and headrail give a floating look
- No support feet visible in the front
- Floor clearance ensures a quick and effective cleaning
- Flush front
- Wall connections are done as shadow gaps
- Hardware made of high-quality anodised aluminium
- Fully waterproof construction
- Suitable for wet and dry areas
- Large variety of decors and colours
- Customised motif prints are possible
- System will be produced acc. to the building site dimension

(3)

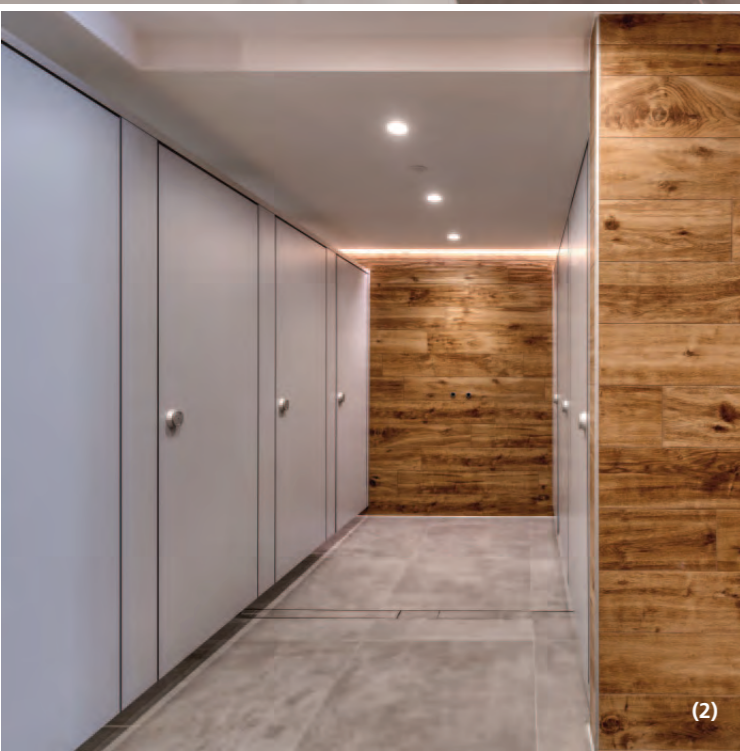
Cubicle system type EF-3

- Made of 36 mm thick sandwich elements
- 3 mm thick HPL layer on both sides and internal torsion-resistant aluminium frame
- Completely waterproof
- Very high stability
- Damping rubber ensures noiseless closing of the doors
- Flush-mounted front panels with excellent easy-clean design
- Wide range of colours and design options

(4)

Cubicle system type SVF30 JUMP

- Consisting of 30 mm thick chipboard panels
- Ideal for dry rooms
- Recessed feet and recessed top profile create a floating appearance
- Flush-mounted front panels
- Easier cleaning and maintenance, considerably lower cleaning costs
- Wall connections using shadow gaps (not possible with brickwork)
- Wide range of colours and design options



(2)



(3)



(4)

Toilet partitions and privacy screens



(1)

(1)

Privacy screens made of glass

- Wall hanging construction
- Made of enamelled safety glass (ESG-H)
- Mounting by means of discreet aluminium or stainless steel brackets
- Hygienic and easy to clean
- Waterproof
- Easy floor cleaning due to the construction
- Colour selection according to RAL colour chart
- Motif prints optionally possible
- Privacy screens will be produced acc. to the building site dimension

(2)

Privacy screens type EF-3

- Wall-hanging privacy screens
- Made of 36 mm thick sandwich elements with HPL surface
- Easy to clean and maintain
- Installed with durable aluminium holders
- Reinigungsfreundlich und pflegeleicht
- Wide range of colours available
- Motif prints are optionally available
- Privacy screens will be produced acc. to the building site dimension



(2)

(2)

Privacy screens type SV30

- Wall-mounted privacy screens
- Made of 30 mm thick chipboard
- ABS strips and panels in the same colour
- Installed with durable aluminium holders
- Wall-mounted structures without bottom support feet are particularly hygienic, since floor cleaning can then be faster and more efficient
- Wide range of colors available
- Motif prints are optionally available
- Privacy screens will be produced acc. to the building site dimension



(3)



(4)

(3)

Privacy screens type VK13

- Wall-mounted privacy screens
- Made of 13 mm solid grade laminate
- Revolving edge is always black
- Installed with durable aluminium holders
- Waterproof
- Wall-mounted structures without bottom support feet are particularly hygienic, since floor cleaning can then be faster and more efficient
- Wide range of colors available
- Motif prints are optionally available
- Privacy screens will be produced acc. to the building site dimension

Vanity units and hair drying stations



Stylish and elegant partitioning.



Vanity units made of glass

- Complete construction made of safety glass
- Suitable as a niche solution
- Mirrors on rear wall, side wall, and ceiling

Vanity units and hair drying stations



(1)

(1)

Vanity unit made of 13 mm thick HPL solid grade panels

- Perfectly combinable with the WC partitions made of HPL as well as other WC partitions from our series
- Customised production, therefore ideally suited to individual customer requirements, e.g. vanity units with different heights
- Waterproof, scratch-resistant and shock-proof
- Smooth, seamless surfaces for quick cleaning
- Durable and well-kept appearance
- Large variety of decors, colours and motif prints available

(2)

- Wall-mounted construction installed in a niche
- Top washbasin freely selectable

(3)

Vanity units and shelves made of solid surface material

- Especially easy to clean due to jointless construction, which extends to the back wall
- Very comfortable haptic
- Exceptionally attractive design
- Design and dimensions can be individually adapted
- Integration of a wide variety of washbasin types possible



(2)



(3)



(1)

Hair drying stations

- Individually customisable and tailored to the overall design
- Large selection of colours and materials
- Robust and durable constructions
- Easy to clean

(2)

- Harmoniously integrated vanity unit solution type VKW made of high-quality, waterproof HPL solid grade panels

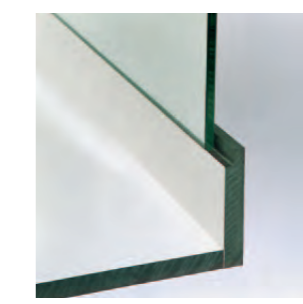


(1)

(2)



- (1)**
Unified design for a harmonious atmosphere
- VKW vanity units are perfectly combinable with the WC partitions made of HPL
 - Wall-mounted attachment is made by using sturdy brackets
 - Fitted into a niche with rear upstand
 - The cut-outs are precisely adapted to the washbasin dimensions
- (2)**
Multifunctional vanity unit system
- Waterproof, robust and easy to clean system with generous storage space, can also be used as a changing table
 - Washbasin also serves as a baby bath tub
 - Shelves and base lockers offer additional storage space
- (3)**
Attractive glass design
- The washbasin system and changing room made of high-quality (ESG-H) safety glass are easy to clean and perfectly integrated into the overall concept



Rear wall vanity unit. This can be equipped with a rabbet for the elegant and flush mounting of a mirror if desired.



Vanity unit door with round opening. Doors are equipped either with handles or with a cylinder lock.



Vanity unit door with access flap for paper towels. Just one of many design options.

Shower partitions





(1)



(2)



(3)



(4)

More privacy
in the shower area
with shower partitions
by Schäfer
Trennwandsysteme.

(1)

Shower cubicle Typ VK13

- Single shower cubicle with integrated changing area for dry storage of clothing
- Maximum privacy while showering and changing
- Made of high quality 13 mm thick HPL solid grade panels
- Effective and durable finger pinch protection optionally available
- High-quality anodised aluminium hardware system
- Very robust and waterproof construction
- Wide range of decors and colours

(2)

Shower cubicle type VKH13

- More privacy for showering and changing with single shower dividing walls
- Very robust and waterproof construction
- Made of 13 mm thick HPL solid grade panels
- Smooth surfaces for effective & fast cleaning
- Wide range of colours

(3)

VITRUM. The elegant glass variant

- Made of high-quality and robust (ESG-H) safety glass
- Completely waterproof construction
- Extremely easy to clean
- Design, colour, and size to customer requirements
- Colour selection according to RAL colour chart

(4)

Shower cubicle type EF-3

- Separate individual shower dividing walls offer more privacy in the shower area
- Individual in layout and design
- Robust and sturdy construction
- Made of 36 mm thick sandwich elements with 3 mm HPL overlay on both sides
- Quick cleaning due to smooth surfaces

5



Shower cubicle type EF-3

- Individual motif prints create a unique shower area
- Smooth surfaces ensure a harmonious look and quick cleaning
- Robust sandwich elements with 3 mm HPL overlay guarantee a durable and wellkept facility, even with heavy use

6

7

8

9

7

8



Shower partition wall type EF-3

- More privacy in the shower area
- Ideal splash protection
- Large variety of decors and colours

Wet room doors





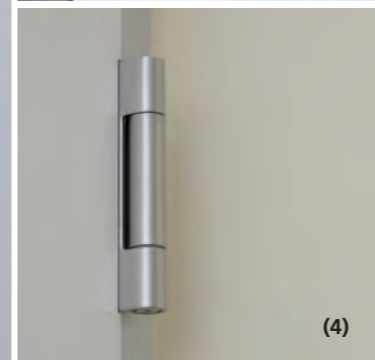
(1)



(2)



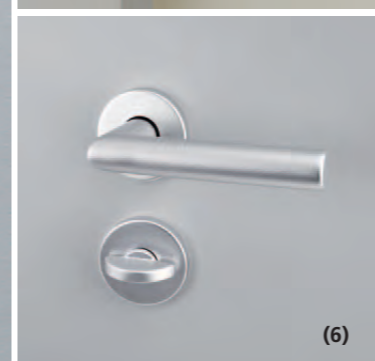
(3)



(4)



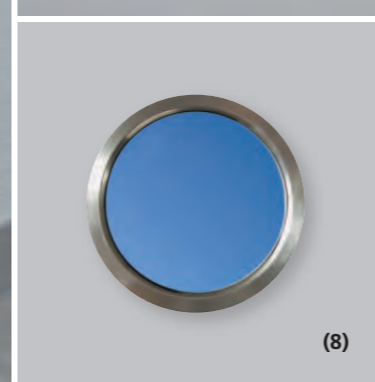
(5)



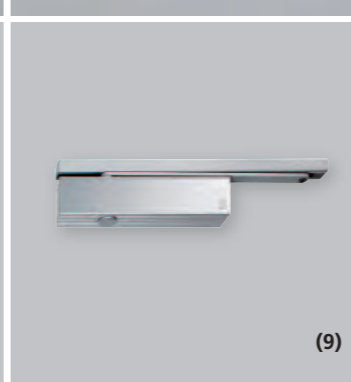
(6)



(7)



(8)



(9)

(1)

Wet room doors, type NT 40

- Completely waterproof
- Element thickness 40 mm
- Element filling over the entire area using polystyrene rigid foam
- Cover layers made of 3 mm HPL solid core panels, permanently glued to an all-round plastic frame
- Frame reinforced by internal PUR rigid foam frame
- Very stable, yet lightweight construction
- Installed as flush or rebated version depending on customer requirements
- Optionally also available as a fire door (T30) with 50 mm element thickness

(2)

High-quality aluminium frames

- Suitable for wet rooms and swimming pools
- Frames available in various finishes and design variants

(3)

Mortice locks

- Made of brass and stainless steel
- Ensure permanent functionality
- A wide variety of fittings to choose from: e.g. toilet locks, panic fittings or push-button combinations

(4)

High-quality stainless steel hinges

- Their stability ensures long-term functioning of the door

(5)

- Hinges flush with the door
- Optimally matched to the frame construction

(6)

- Aluminium handle set with toilet lock. Just one of many fitting options

(7)

- Stainless steel handle set with toilet lock

(8)

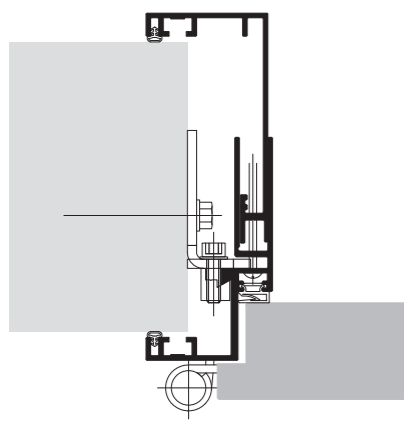
- Glass cut-outs and portholes can be built in according to customer requirements

(9)

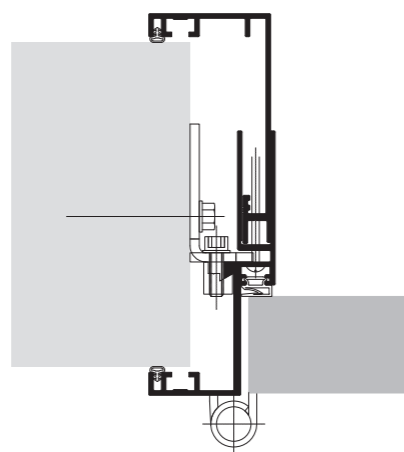
- Door closer with slide rail and optional lock



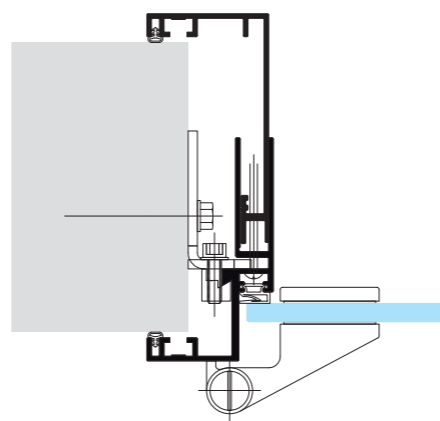
Aluminium frame type Hardline for rabbeted doors



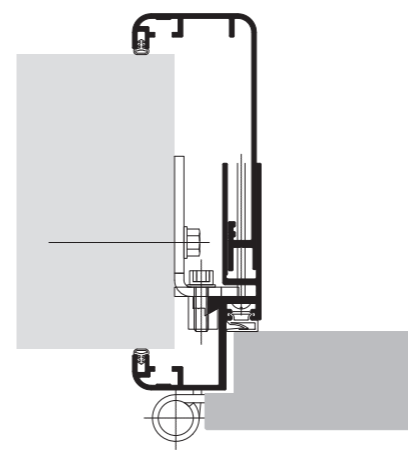
Aluminium frame type Hardline for dulled doors



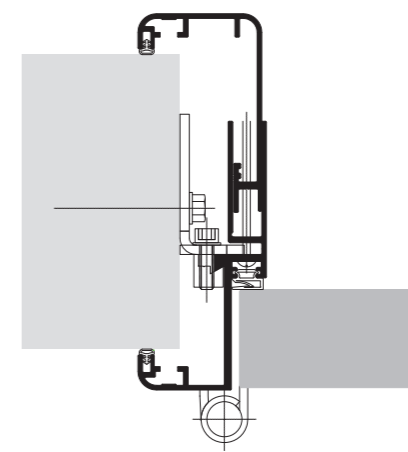
Aluminium frame type Hardline for glass doors



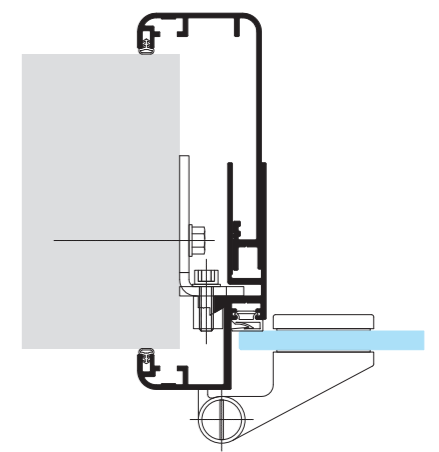
Aluminium frame type Modernline for rabbeted doors



Aluminium frame type Modernline for dulled doors



Aluminium frame type Modernline for glass doors



This is just a choice of possible frames from our partner Küffner. There are more alternative frames on www.kueffner.de

Sculleries





(1)

Individual customised sculleries

(1)

- Worktops are customised and made of 13 mm HPL solid grade laminate
- Perfectly combinable with our HPL products
- Waterproof and extremely robust construction, thus also ideal for outdoor use
- Individually customisable in form and dimensions
- All-round black edges
- Smooth surface for a easy cleaning
- Large variety of decors and colours

(2)

- Wall-mounted construction
- Fitted in a niche with rear and side upstands
- The cut-outs are precisely adapted to the scullery dimensions

(3)

- Wall-mounted with the use of stable brackets
- Unlimited design variations in form and dimensions



(2)



(3)

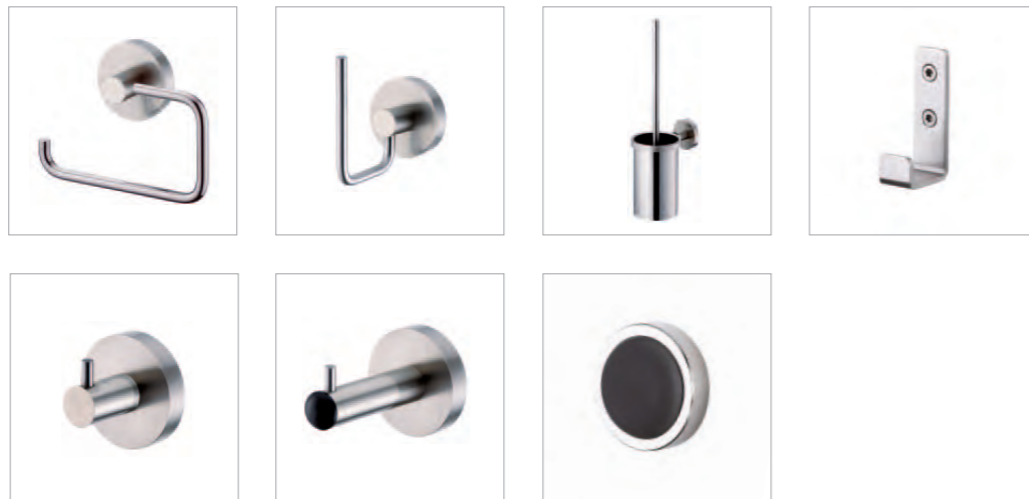
Aluminium

- Toilet roll Schäfer AL7001
- Spare roll holder Schäfer AL7002
- Toilet brush unit Schäfer AL7003
- Hook Schäfer AL7011
- Hook Schäfer AL7010
- Hook with buffer Schäfer AL7007
- Buffer Schäfer AL7015



Stainless steel

- Toilet roll Schäfer ES6001
- Spare roll holder Schäfer ES6002
- Toilet brush unit Schäfer ES6003
- Hook Schäfer ES6011
- Hook Schäfer ES6010
- Hook with buffer Schäfer ES6007
- Buffer Schäfer ES6015



Nylon

- Toilet roll Schäfer N8001
- Spare roll holder Schäfer N8002
- Toilet brush unit Schäfer N8003
- Hook Schäfer N8010
- Hook with buffer Schäfer N8007
- Buffer Schäfer N8015



Indicator stainless steel

- Male Schäfer PI1001
- Female Schäfer PI1002
- Handicapped Schäfer PI1003



Changing tables and child seats

- (1) Changing table Gänseblümchen made of multiplex board with HPL coating, white 575 x 735 mm. Schäfer ZB1009
- (2) Changing table Gänseblümchen made of multiplex board with HPL coating, anthracite 575 x 735 mm. Schäfer ZB1010
- (3) Changing table Sonnenblume from SGL, white 605 x 805 mm. Schäfer WITSB
- (4) Changing table from polyethylene, 460 x 870 mm. Schäfer ZB1001
- (5) Changing table from polyethylene, 500 x 880 mm. Schäfer ZB1002



There may be a difference between printed colours and real colours. We reserve the right to make technical alterations.

Variations of accessories

Hardware Type VITRUM II



Aluminium
one-hand door knob
cubicle outside

Aluminium
one-hand door knob
cubicle inside

Hardware Type VITRUM III



Stainless steel
one-hand door knob
cubicle outside

Stainless steel
one-hand door knob
cubicle inside

Hardware Type SV30



Aluminium
door handle
Schäfer AL7050

Stainless steel
door handle
Schäfer ES6050

Nylon
door handle
Schäfer N8051

Aluminium
one hand
door knob
INSAFE

Aluminium
push handle
SLIDESAFE

Hardware Type EF-3



Aluminium
door handle
Schäfer AL7050

Stainless steel
door handle
Schäfer ES6050

Nylon
door handle

Stainless steel
one hand
door knob

Aluminium
one hand
door knob
INSAFE

Aluminium
push handle
SLIDESAFE

Hardware Type VK13



Aluminium
one hand door knob
INSAFE

Stainless steel
one hand door knob

Nylon
one hand door knob

Hardware Type SVFG40 / SVF30



Aluminium
door handle
Schäfer AL7050

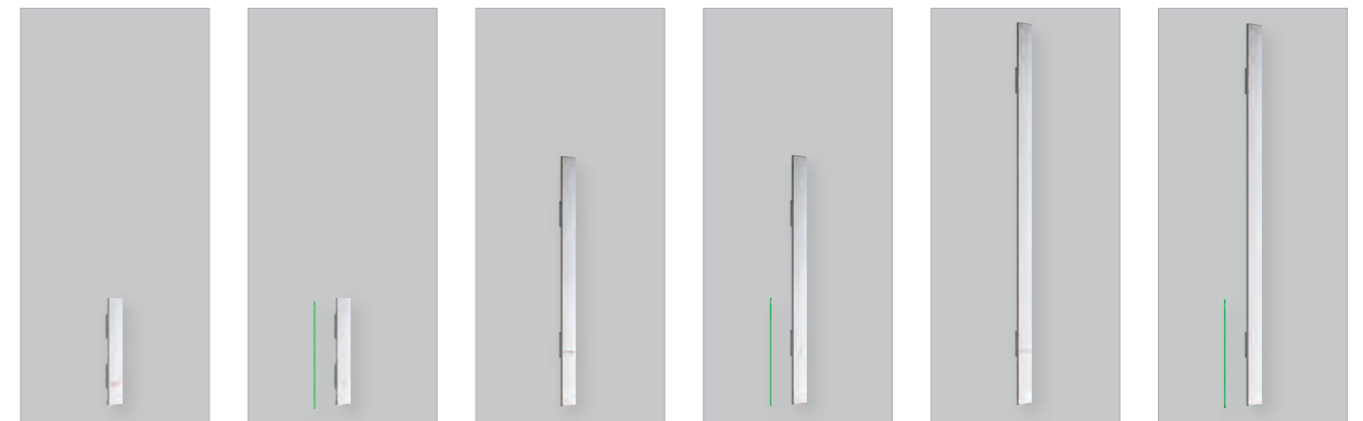
Stainless steel
door handle
Schäfer ES6050

Nylon
door handle
Schäfer N8051

Aluminium
one hand
door knob
INSAFE

Aluminium
push handle
SLIDESAFE

Aluminium handrail for the product types EF-3 / SVFG40 / SVF30



Aluminium
handrail
55 x 500 mm
Schäfer ALGS1

Aluminium
handrail
with LED strip
55 x 500 mm
Schäfer ALGS1 LED

Aluminium
handrail
55 x 1.150 mm
Schäfer ALGS2

Aluminium
handrail
with LED strip
55 x 1.150 mm
Schäfer ALGS2 LED

Aluminium
handrail, adapted
to the door length,
always until the top
edge of the door
Schäfer ALGSV

Aluminium
handrail
with LED strip,
adapted to the door
length, always until
the top edge of the
door
Schäfer ALGSV LED

[To the handrail configuration online tool >](#)

[To the push handle SLIDESAFE >](#)

We reserve the right to make technical alterations.



reddot winner 2021



GERMAN
INNOVATION
AWARD '22
WINNER

